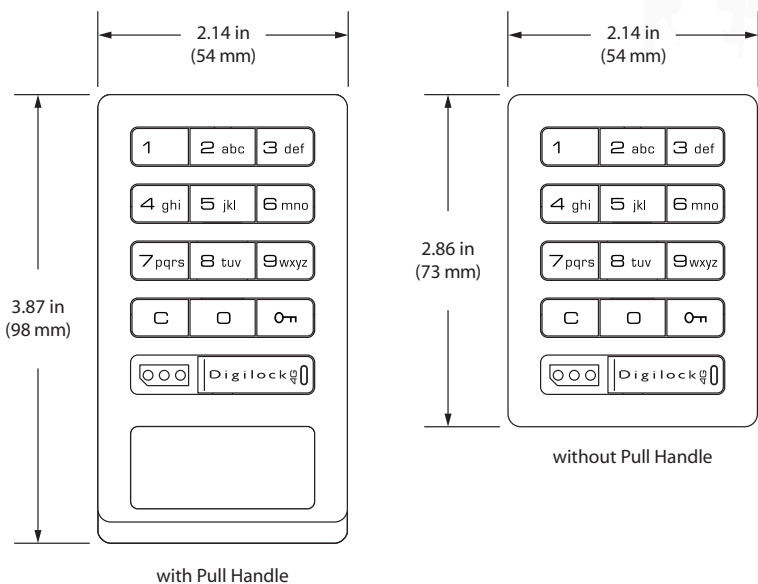


Features

- All metal housing
- Keypad operation
- Assigned use functionality
- Standard body with or without pull handle
- 1/2" (12 mm) motorized deadlatch
- Unlocks with assigned 4-digit code
- Locks by closing the door
- Tamper guard
- Manager bypass functionality
- Visual & audible usage indicators
- Powered by 4 premium AA batteries
- 3-5 year battery life
- Low battery and binding Indicator
- 2 year product warranty



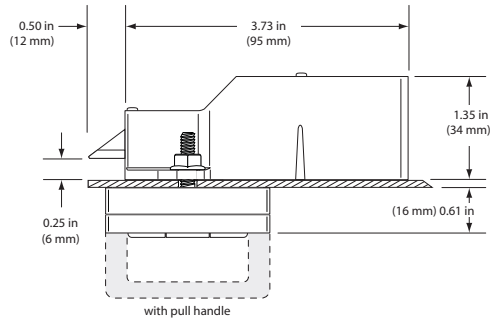
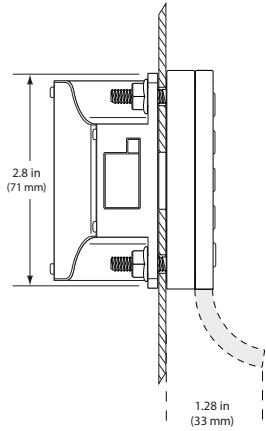
DAK I - APS I

Surface or recess mount
 Brushed nickel or custom finishes
 Accommodates door thickness of
 0.09"-2.00" (2.2 - 50.8 mm)

Programming Key with external power
 Manager Bypass Key (up to 25) with
 external power
 Accessibility User Key
 Strike plate

Accessories . Options

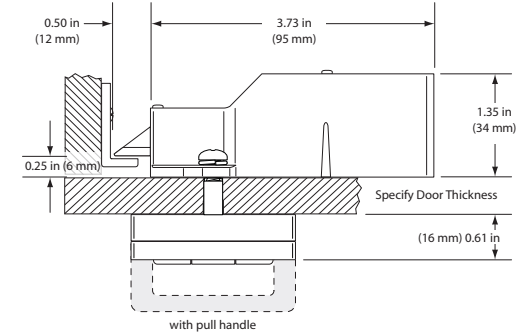
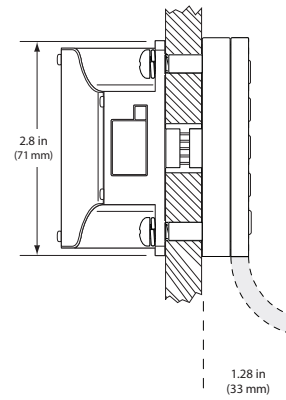
side view



Screw Post
0.01-0.480 in (0.0-12.2 mm) door thickness

top view

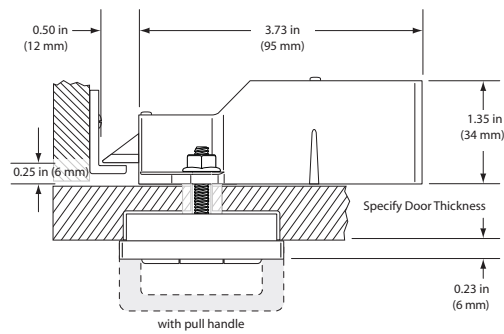
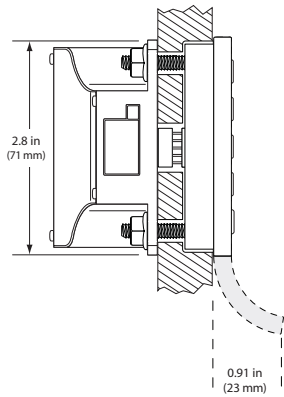
side view



Nut Post
0.480-1.998 in (12.2-50.7 mm) door thickness

top view

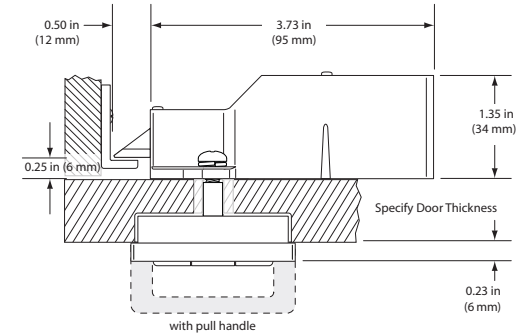
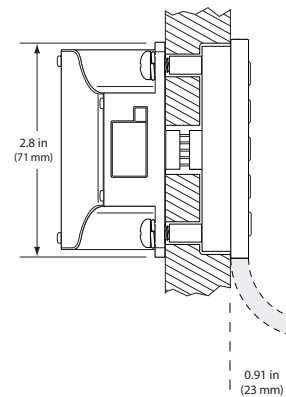
side view



Screw Post
0.370-0.850 in (9.4-21.6 mm) door thickness

top view

side view



Nut Post
0.850-2.368 in (21.6-60.1 mm) door thickness

top view



Advanced Security locks with integrated pull handle operated with an Accessibility User Key are fully compliant with the Americans with Disabilities Act (ADA) guidelines set by the U.S. Access Board. All Digilock models can be operated with an Accessibility User Key to meet compliance guidelines.

